

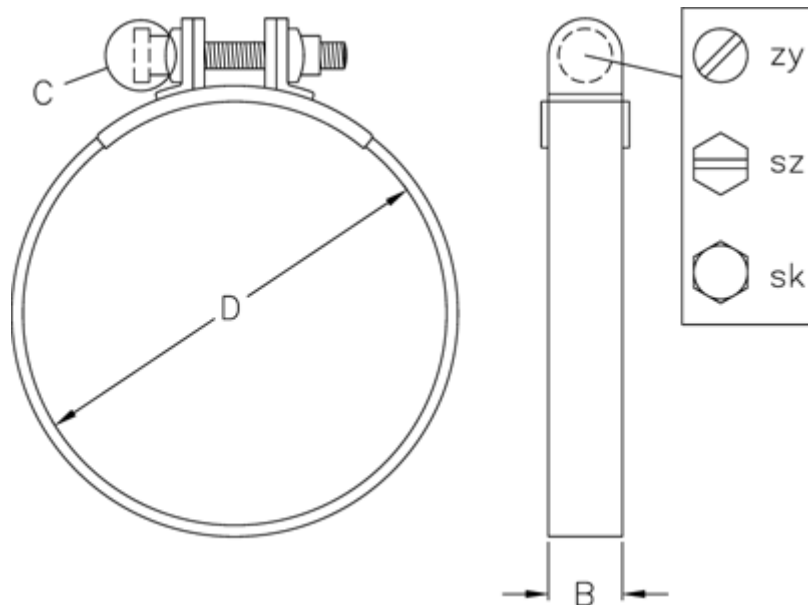
# Data Sheet



Article number: 02150000114

Description: Sealing Clamp S 114 W1

## Measures



C (screw type) = SZ  
Diameter D = 114  
Width B = 20